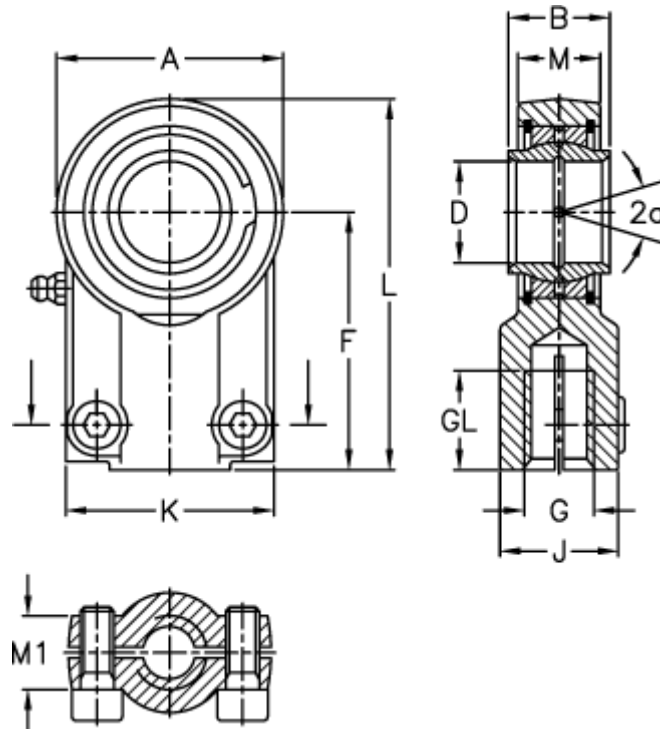


Article number: 03551100

Description: Fluro hydraulic rod end FPR 100CE

## Measures



A	= 211.4	J	= 110
a (degrees)	= 4	K	= 178
B	= 100	L	= 322.7
D	= 100	M	= 85
Dynamic load C (kN)	= 610	M1	= 62
F	= 210	Static load C0 (kN)	= 1060
g	= M80x3	Torque (N m)	= 710
GL	= 96	Weight	= 28000